



REG NO. : 2015/097211/07  
VAT NO. : 4190281669

Tell : 031 100 1120

Web: [www.nyloncc.co.za](http://www.nyloncc.co.za)

## WEAR STRIPS

## ROLLER CHAIN GUIDES



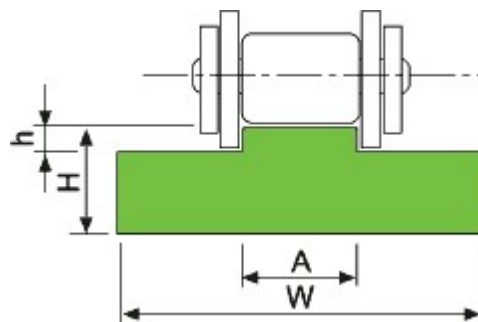
L: Standard lengths in 2 meters

\* Stainless Steel backing strips are sold separately

Tel: 031 100 1120

Enquiries: [Cornelis@nyloncc.co.za](mailto:Cornelis@nyloncc.co.za) / [Wayne@nyloncc.co.za](mailto:Wayne@nyloncc.co.za)

## ROLLER CHAIN GUIDES

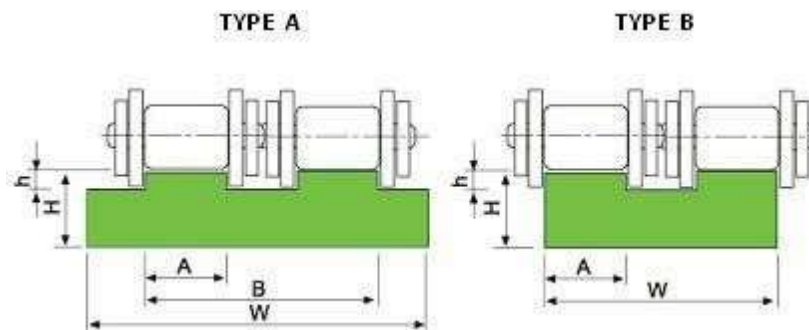


Chain		Pitch	W	H	A	h	L	NCC Part No.
	ISO							
S-1	06 B1	3/8"	15	10	5,4	1,5	2	NCC2001A
S-2	08 B1	1/2"	20	10	7,4	2,2	2	NCC2001B
S-3	10 B1	5/8"	20	10	9,2	2,6	2	NCC2001C
S-315	10 B1	5/8"	20	15	9,2	2,6	2	NCC2001D
S-4	12 B1	3/4"	25	10	11,3	2,4	2	NCC2001E
S-415	12 B1	3/4"	25	15	11,3	2,4	2	NCC2001F
S-5	16 B1	1"	40	15	16,5	3,5	2	NCC2001G
S-520	16 B1	1"	40	20	16,5	3,5	2	NCC2001H
S-6	20 B1	1 1/4"	45	15	19	4,3	2	NCC2001I
S-620	20 B1	1 1/4"	45	20	19	4,3	2	NCC2001J
S-7	24 B1	1 1/2"	60	15	24,6	5,6	2	NCC2001K
S-8	28 B1	1 3/4"	75	20	30	6,9	2	NCC2001L
S-9	32 B1	2"	85	20	30	7,8	2	NCC2001M

L: Standard lengths in 2 meters

\* Stainless Steel backing strips are sold separately

## ROLLER CHAIN GUIDES

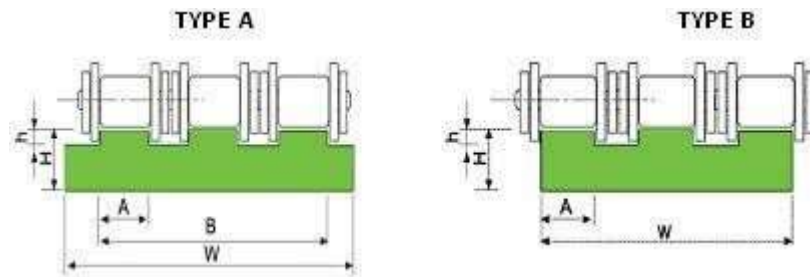


TYPE	Chain		Pitch	W	H	A	h	B	L	NCC Part No.
		ISO								
A	D-1	06 B2	3/8"	25	10	5,4	1,5	16	2	NCC2067A
	D-2	08 B2	1/2"	35	10	7,4	2,2	21	2	NCC2067B
	D-3	10 B2	5/8"	40	10	9,2	2,6	26	2	NCC2067C
	D-315	10 B2	5/8"	40	15	9,2	2,6	26	2	NCC2067D
	D-4	12 B2	3/4"	45	10	11,3	2,4	31	2	NCC2067E
	D-415	12 B2	3/4"	45	15	11,3	2,4	31	2	NCC2067F
B	D-5	16 B2	1"	48	15	16,5	3,5		2	NCC2067G
	D-520	16 B2	1"	48	20	16,5	3,5		2	NCC2067H
	D-6	20 B2	1 1/4"	55	15	19	4,3		2	NCC2067I
	D-620	20 B2	1 1/4"	55	20	19	4,3		2	NCC2067J
	D-7	24 B2	1 1/2"	72	20	24,6	5,6		2	NCC2067K
	D-8	28 B2	1 3/4"	89	20	30	6,9		2	NCC2067L
	D-9	32 B2	2"	89	20	30	7,8		2	NCC2067M

L: Standard lengths in 2 meters

\* Stainless Steel backing strips are sold separately

## ROLLER CHAIN GUIDES



Chain		Pitch	W	H	A	h	B	L	NCC Part No.
	ISO								
T-1	06 B3	3/8"	35	10	5,4	1,5	25.9	2	NCC2068A
T-2	08 B3	1/2"	45	10	7,4	2,2	35.3	2	NCC2068B
T-215	08 B3	1/2"	45	15	7,4	2,2	35.3	2	NCC2068C
T-220	08 B3	1/2"	45	20	7,4	2,2	35.3	2	NCC2068D
T-3	10 B3	5/8"	55	10	9,2	2,6	42.5	2	NCC2068E
T-4	12 B3	3/4"	65	10	11,3	2,4	50.3	2	NCC2068F
T-5	16 B3	1"	95	15	16,5	3,5	80.3	2	NCC2068G
T-6	20 B3	1 1/4"	92	15	19,0	4,3		2	NCC2068H
T-7	24 B3	1 1/2"	121	20	24,6	5,6		2	NCC2068I
T-8	28 B3	1 3/4"	149	25	30,0	6,9		2	NCC2068J
T-9	32 B3	2"	149	30	30,0	7,8		2	NCC2068K

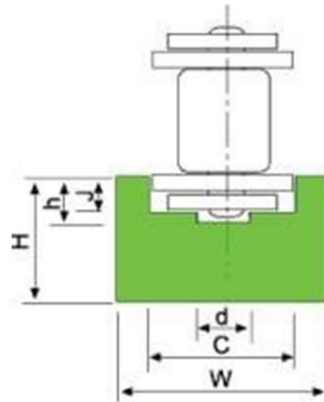
L: Standard lengths in 2 meters

\* Stainless Steel backing strips are sold separately

Tel: 031 100 1120

Enquiries: [Cornelis@nyloncc.co.za](mailto:Cornelis@nyloncc.co.za) / [Wayne@nyloncc.co.za](mailto:Wayne@nyloncc.co.za)

## ROLLER CHAIN GUIDES

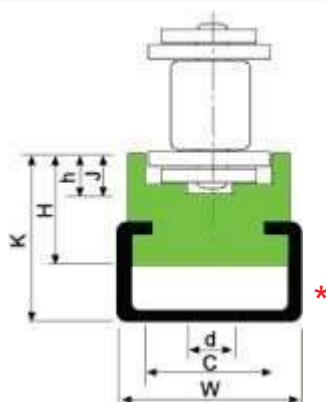


Chain		Pitch	W	H	C	h	J	d	L	NCC Part No.
	ISO									
U-1	06 B	3/8"	20	15		4,2	2,8	4	2	NCC2002A
U-2	08 B	1/2"	25	15		4,8	3,5	5	2	NCC2002B
U-3	10 B	5/8"	25	15	9,2	5,1	3,6	6	2	NCC2002C
U-4	12 B	3/4"	25	20		5,7	3,9	7	2	NCC2002D
U-5	16 B	1"	35	25		10	8,4	9	2	NCC2002E

L: Standard lengths in 2 meters

\* Stainless Steel backing strips are sold separately

## ROLLER CHAIN GUIDES

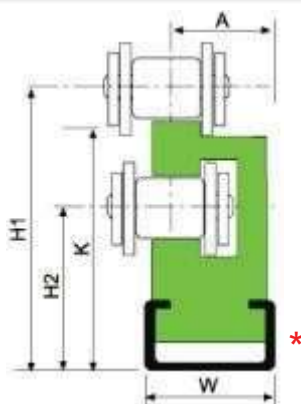


Chain		Pitch	W	H	K	h	J	d	Guide	L	NCC Part No.
	ISO										
UCG-1	06 B	3/8"	20	10	15	4,2	2,8	4	C 2010	2	NCC2003A
UCG-2	08 B	1/2"	25	15	22	4,8	3,5	5	C 2812	2	NCC2003B
UCG-3	10 B	5/8"	25	15	22	5,1	3,6	6	C 2812	2	NCC2003C
UCG-4	12 B	3/4"	25	20	27	5,7	3,9	7	C 2812	2	NCC2003D
UCG-5	16 B	1"	35	25	33	10	8,4	9	C 3818	2	NCC2003E

L: Standard lengths in 2 meters

\* Stainless Steel backing strips are sold separately

## ROLLER CHAIN GUIDES

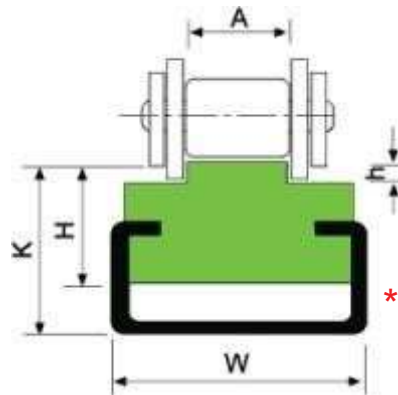


Chain		Pitch	W	H1	H2	A	K	Guide	L	NCC Part No.
	ISO									
2PCG-1	06 B1	3/8"	20	30	17	14,5	27	C 2010	2	NCC2004A
2PCG-2	08 B1	1/2"	20	34	18	16,5	30	C 2010	2	NCC2004B
2PCG-3	10 B1	5/8"	20	41	21	15,5	36	C 2010	2	NCC2004C
2PCG-4	12 B1	3/4"	28	46,5	24	18,6	41	C 2812	2	NCC2004D
2PCG-5	16 B1	1"	38	62	34	25	54	C 3818	2	NCC2004E

L: Standard lengths in 2 meters

\* Stainless Steel backing strips are sold separately

## ROLLER CHAIN GUIDES



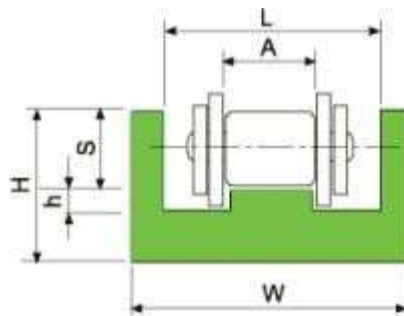
Chain		Pitch	W	H	K	h	A	Guide	L	NCC Part No.
	ISO									
TCG-1	06 B1	3/8"	20	15	17	1,5	5,4	C 2010	2	NCC2069A
TCG-2	08 B1	1/2"	20	15	17	2,2	7,4	C 2010	2	NCC2069B
TCG-3	10 B1	5/8"	20	15	17	2,6	9,2	C 2010	2	NCC2069C
TCG-4	12 B1	3/4"	28	15	18	2,4	11,3	C 2812	2	NCC2069D
TCG-5	16 B1	1"	28	20	24	3,5	16,5	C 2812	2	NCC2069E
TCG-5R	16 B1	1"	28	15	18	3,5	16,5	C 2812	2	NCC2069F
TCG-6	20 B1	1 1/4"	38	25	30	4,3	19,0	C 3818	2	NCC2069G
TCG-7	24 B1	1 1/2"	38	25	30	5,6	24,6	C 3818	2	NCC2069H
TCG-8	28 B1	1 3/4"	38	25	30	6,9	30	C 3818	2	NCC2069I
TCG-9	32 B1	2"	38	25	30	7,8	30	C 3818	2	NCC2069J

L: Standard lengths in 2 meters

\* Stainless Steel backing strips are sold separately



## ROLLER CHAIN GUIDES



Chain		Pitch	W	H	L	h	A	S	L	NCC Part No.
	ISO									
UC-1	06 B1	3/8"	25	10	15	1,5	5,4	4,4	2	NCC2070A
UC-2	08 B1	1/2"	30	15	20	2,2	7,4	7,2	2	NCC2070B
UC-3	10 B1	5/8"	33	20	23	2,6	9,2	9,5	2	NCC2070C
UC-4	12 B1	3/4"	38	20	28	2,4	11,3	11,1	2	NCC2070D
UC-5	16 B1	1"	51	25	41	3,5	16,5	16,5	2	NCC2070E
UC-6	20 B1	1"1/4	56	30	46	4,3	19	20,7	2	NCC2070F

L: Standard lengths in 2 meters

\* Stainless Steel backing strips are sold separately